



**ciber**<sup>®</sup>

**Is it possible to program GNU-Radio in Java?**

Robert Varttinen

# SDR – vad är det?

## SDR – Software Defined Radio

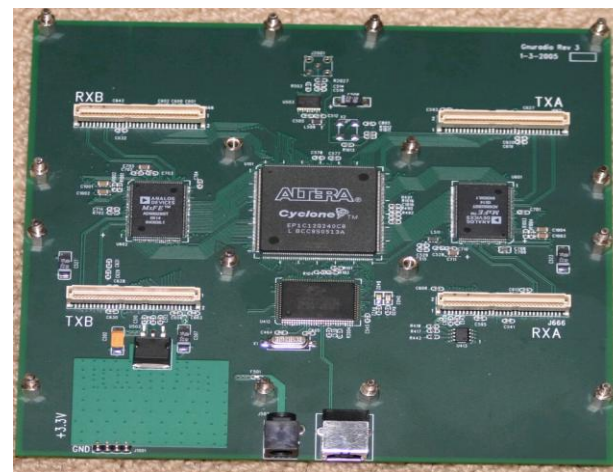
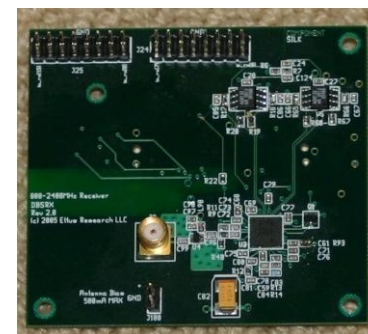
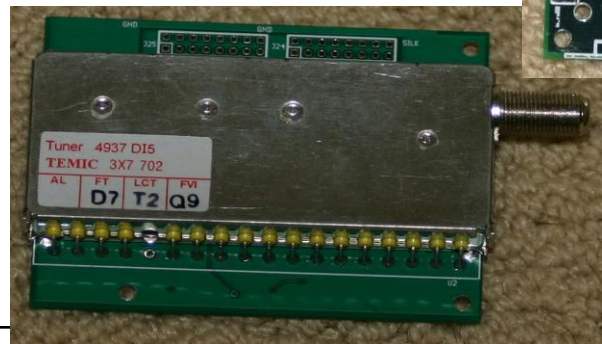
- A **Software Defined Radio** (SDR) system is a radio communication system which can potentially tune to any frequency band and receive any modulation across a large frequency spectrum by means of as little hardware as possible and processing the signals through software.



# GNU Radio

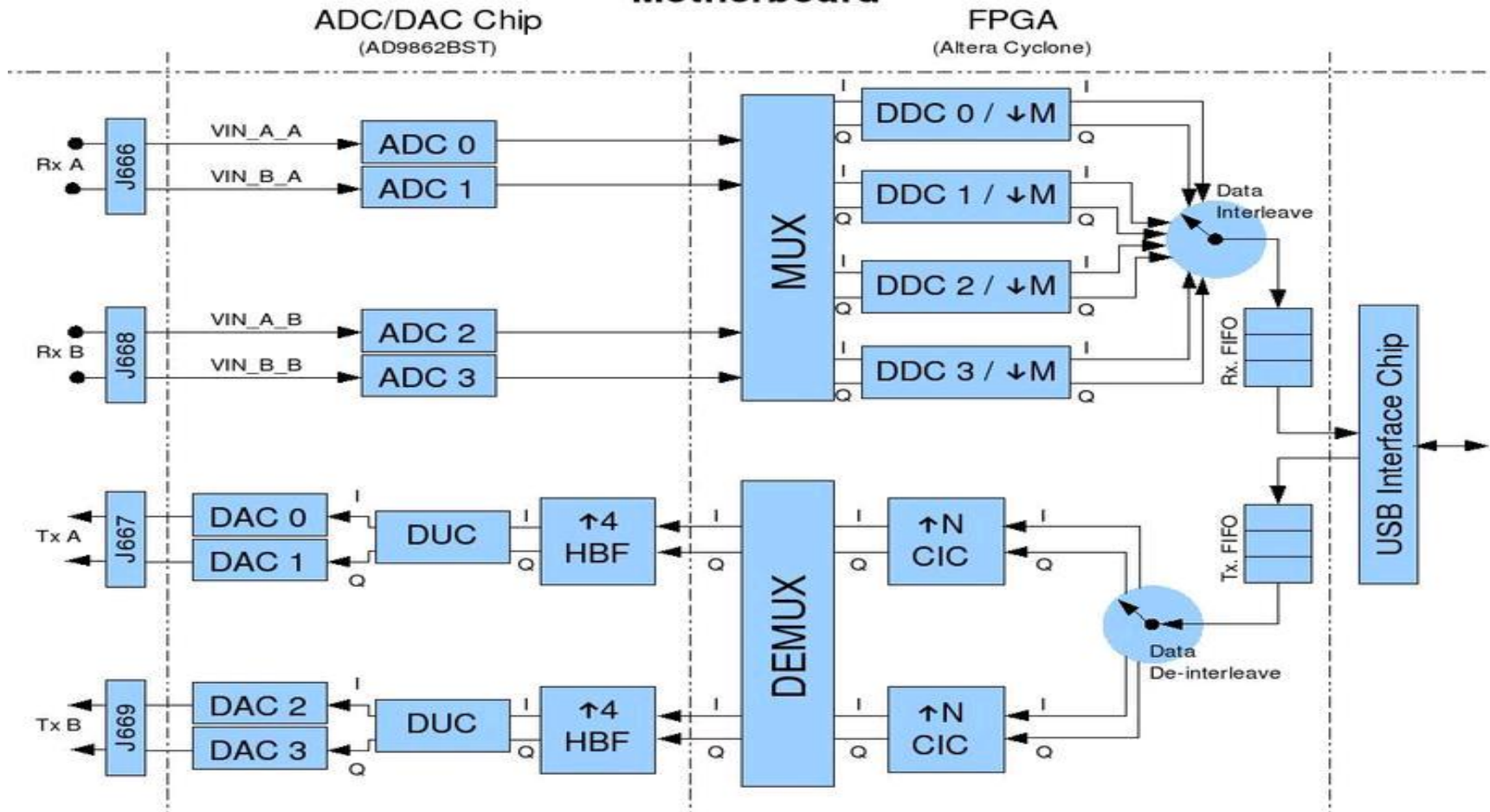
## GNU Radio

- Open source SDR project
- Hardware and software



# GNU Radio USRP

## Motherboard



# Now what? Call to action!

- Start some open development...
  - Technologies involved includes; Java, JNI (C/C++), Python, SDR, Serial comm (USB), hi-speed DSP, more ...
- Interested? Contact: [robert.varttinen@ciber.com](mailto:robert.varttinen@ciber.com)
- This is fun..!. Who wouldn't like to join?
- The more the merrier



**ciber**<sup>®</sup>

Java and GNURadio

robert.varttinen@ciber.com